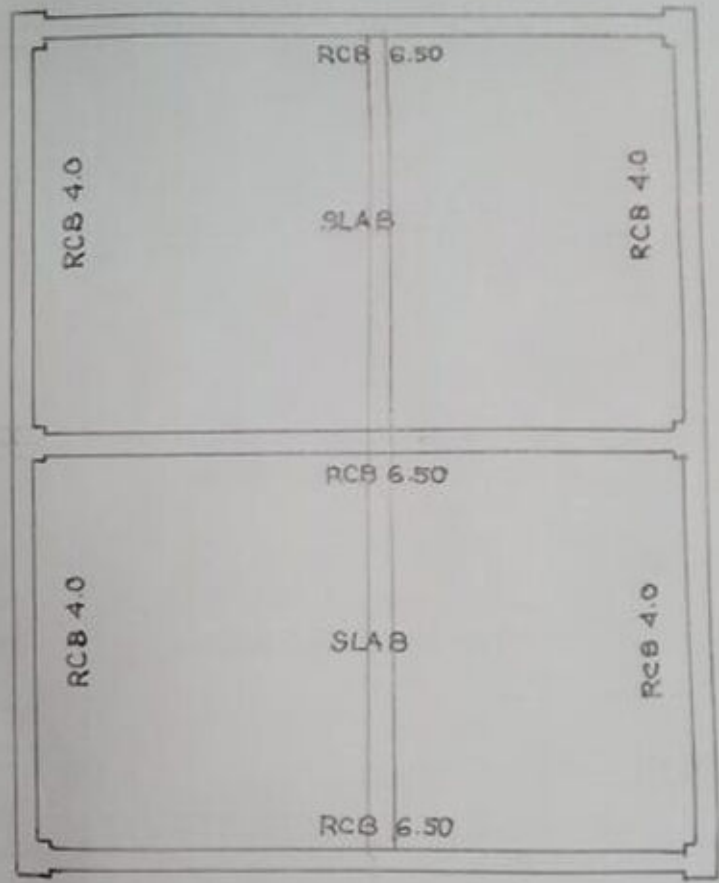
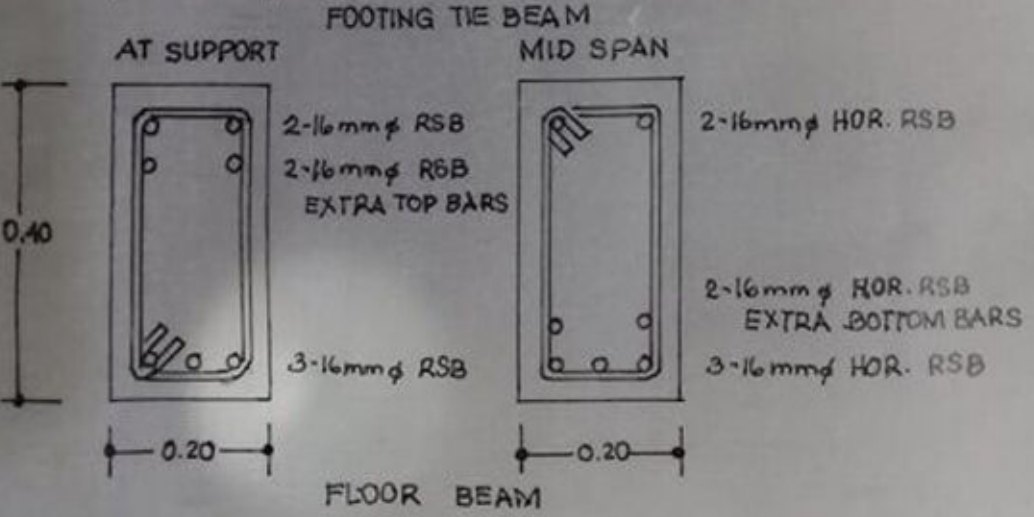
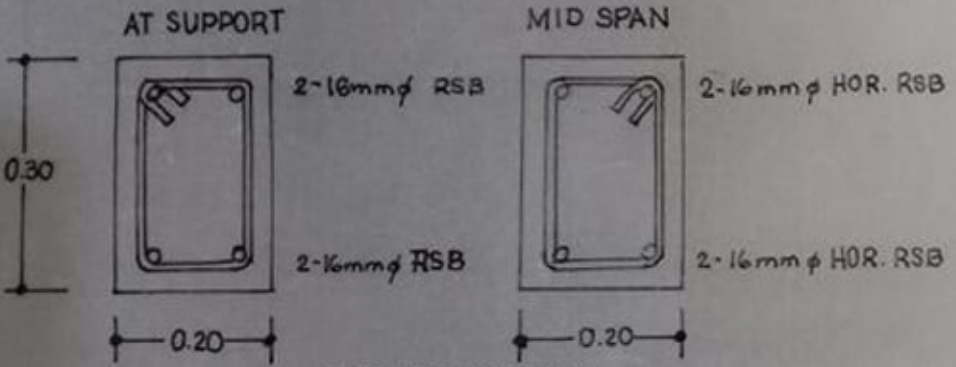
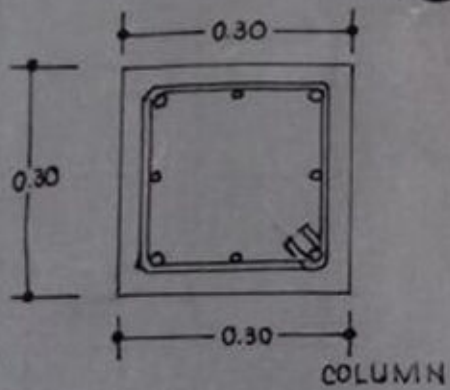


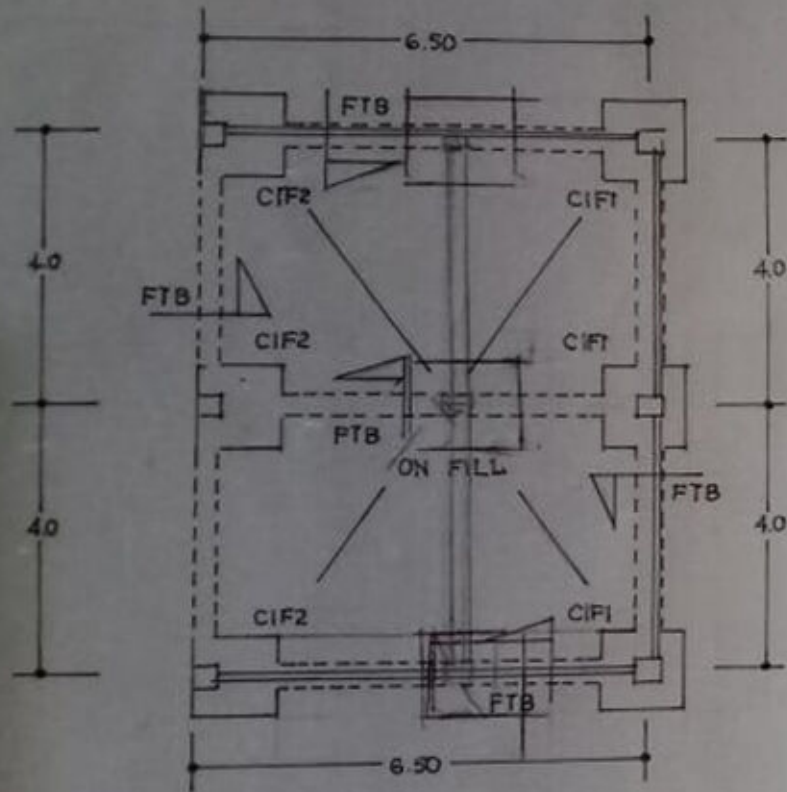
12mm ϕ RSB TEMPERATURE, STRAIGHT, BENT-UP
 & EXTRA TOP BARS @ 0.30

TWO-WAY SLAB REINFORCEMENT DET.
 SCALE 1:50 MTS.

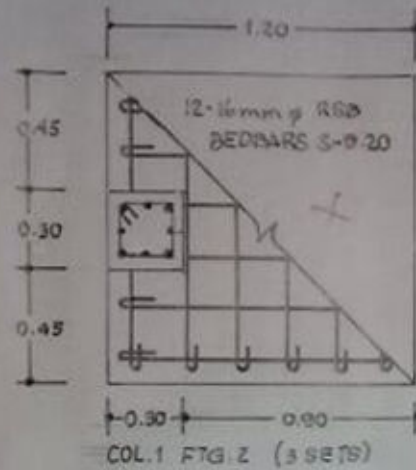
SECTION
SCALE 1:10 MTS.



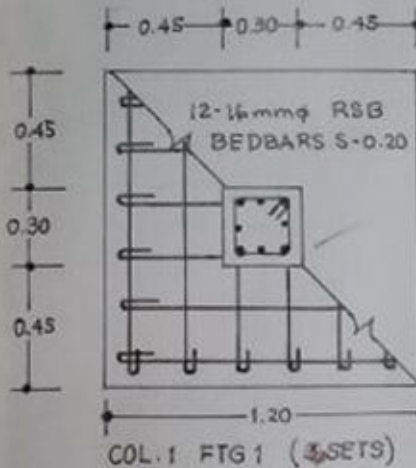
FLOOR BEAM FRAMING
SCALE 1:75 MTS.



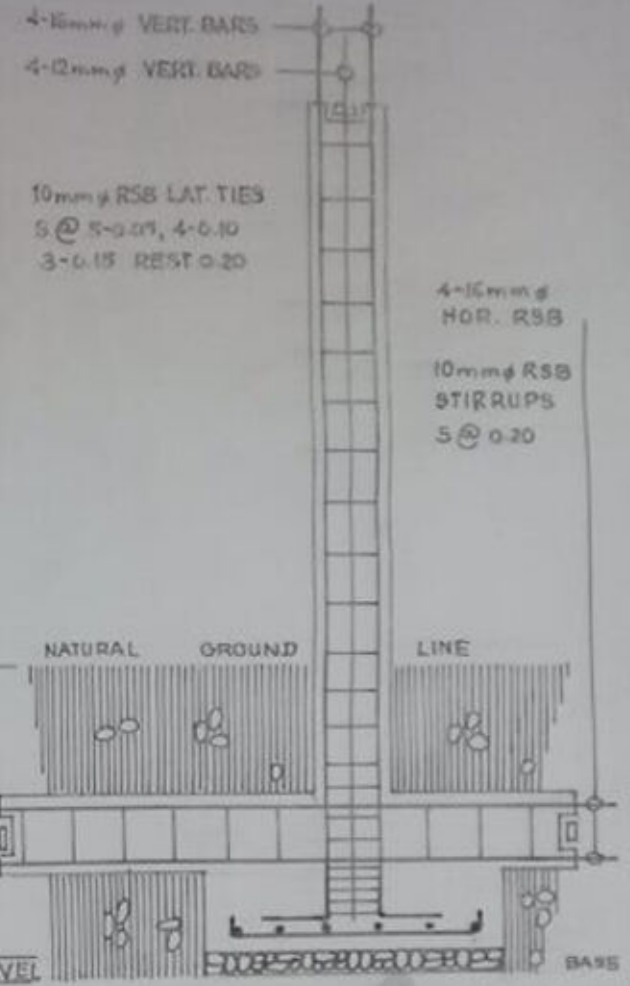
FOUNDATION PLAN
SCALE 1:100 MTS.



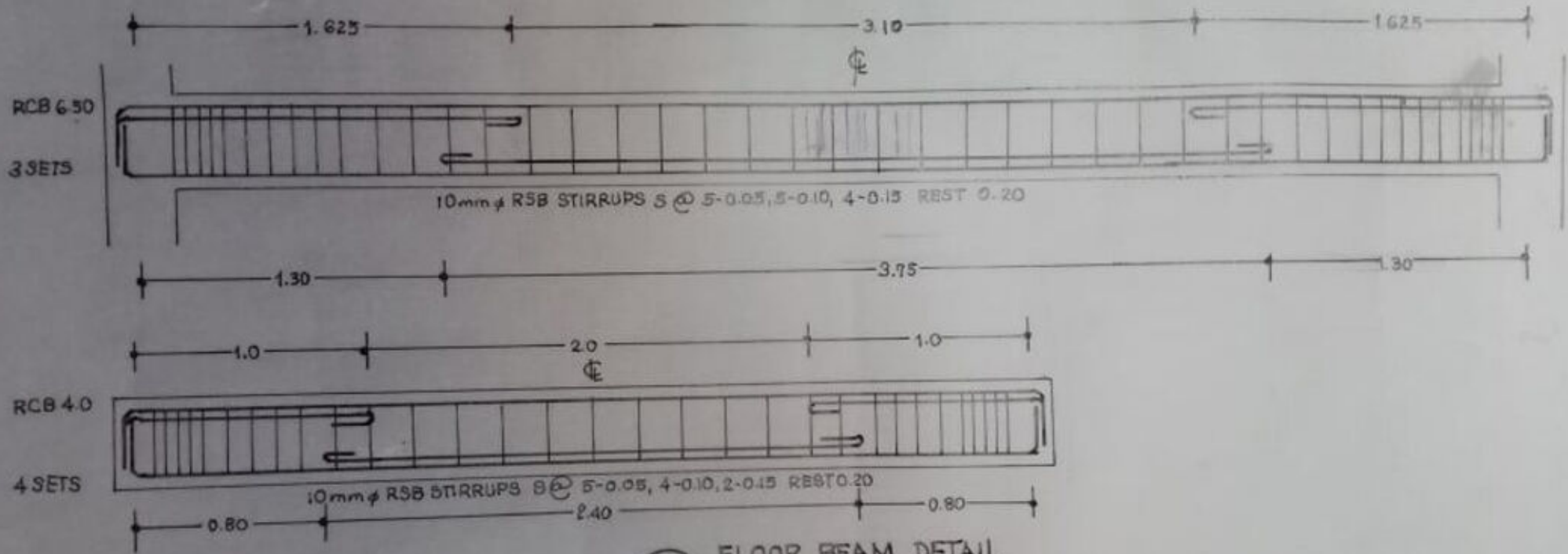
COL.1 FTG.2 (3 SETS)

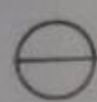


COL.1 FTG.1 (3 SETS)



COLUMN & COL. FOOTING DET.
SCALE 1:25 MTS.




FLOOR BEAM DETAIL
 SCALE 1:25 MTS.